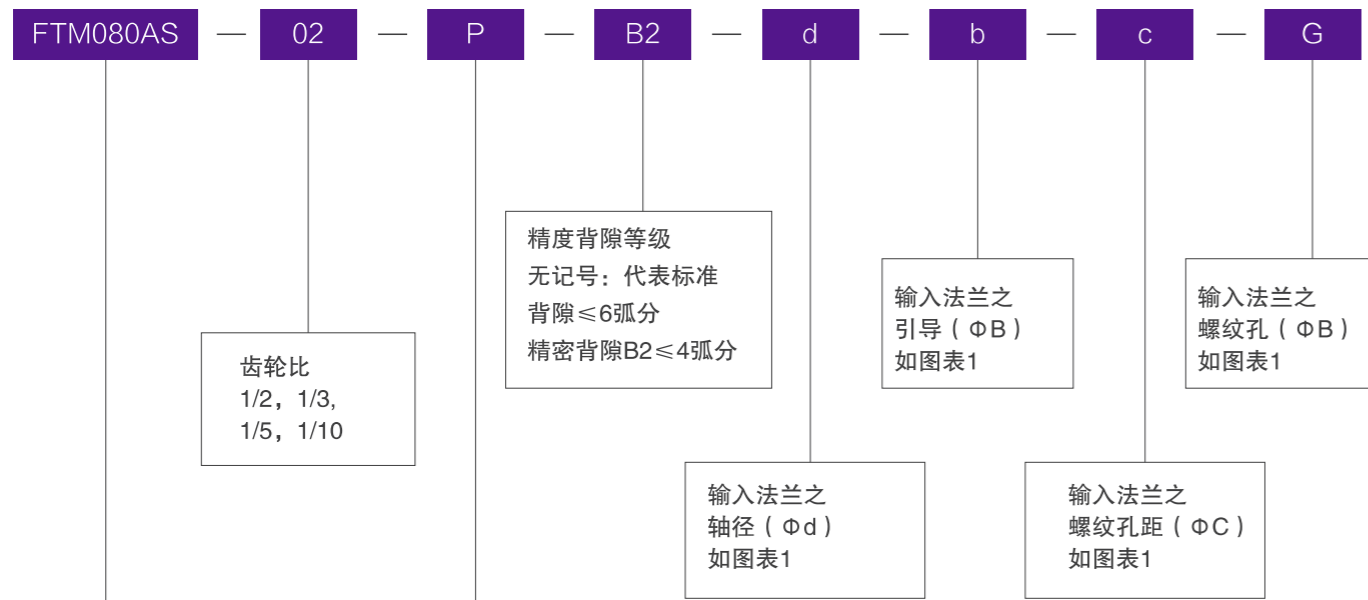
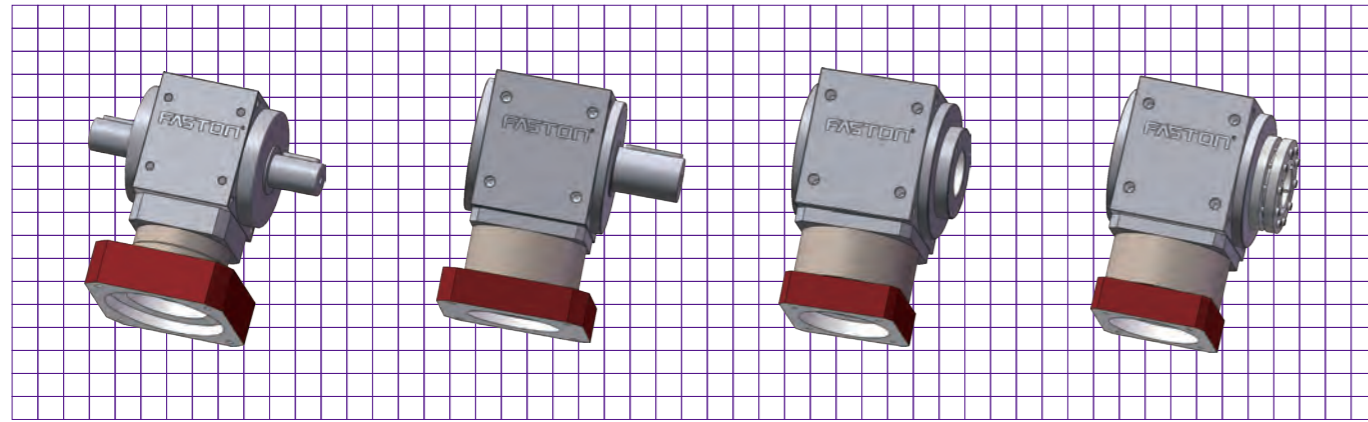


FTM-AS输入带法兰转向器 减速比:1/2~1/10



齿轮比  
1/2, 1/3,  
1/5, 1/10

精度背隙等级  
无记号: 代表标准  
背隙≤6弧分  
精密背隙B2≤4弧分

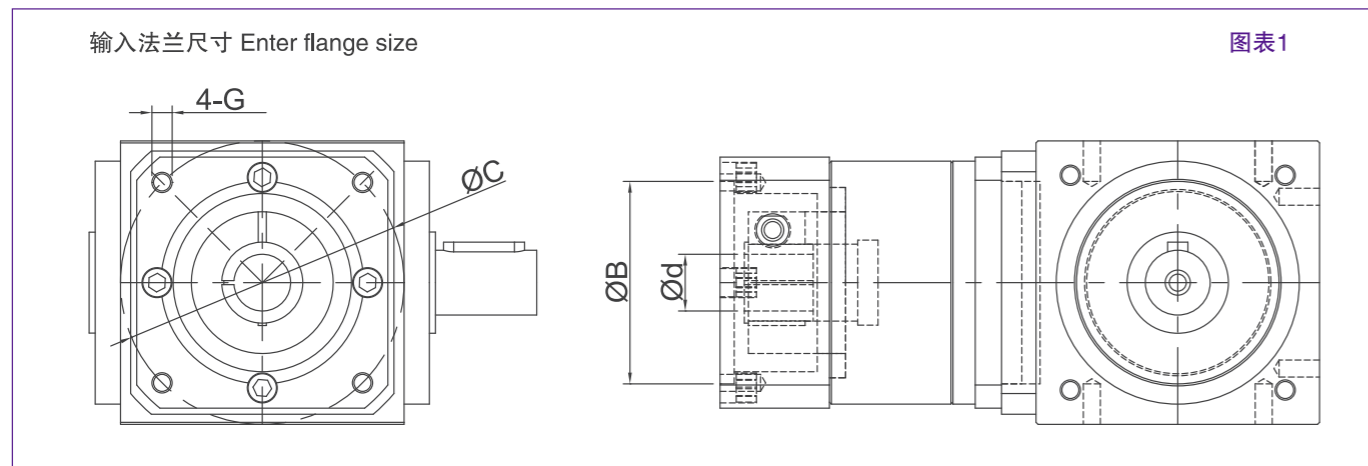
输入法兰之  
引导 (ΦB)  
如图表1

输入法兰之  
螺纹孔 (ΦC)  
如图表1

输入法兰之  
轴径 (Φd)  
如图表1

输入法兰之  
螺纹孔距 (ΦC)  
如图表1

- |  |   |  |
|--|---|--|
| <p>型号 (输入带法兰型式)<br/>FTM045AS/FTM070AS/<br/>FTM080AS/FTM110AS/<br/>FTM135AS/FTM135BS/<br/>FTM165AS/FTM200BS/<br/>FTM250AS</p> | <p>输出轴型式<br/>CR: 中空轴带键槽<br/>HP: 单中空轴无键 (胀紧套)<br/>HP-K: 单中空轴带键槽 (胀紧套)<br/>2HP: 双中空轴无键 (胀紧套)<br/>2HP-K: 双中空轴带键槽 (胀紧套)</p> | <p>P: 单实心出力轴带键槽<br/>2P: 双实心出力轴带键槽<br/>RF: 中空轴旋转法兰<br/>RF-K: 中空轴旋转法兰带键槽<br/>*FTM045AS (只生产P/2P)</p> |
|--|---|--|



产品规格 PRODUCT SPECIFICATION

齿轮种类 Gear types	减速比 ratio	FTM 045AS	FTM 070AS	FTM 080AS	FTM 110AS	FTM 135AS	FTM 135BS	FTM 165AS	FTM 165BS	FTM 200BS	FTM 250AS
额定 输出转矩 (Nm)	1/2	9.5	—	78.5	230	350	303	750	510	1200	2150
	1/3	—	—	38.5	75	160	160	325	325	750	1500
	1/5	—	24.5	49	123	208	208	490	490	800	1500
	1/10	—	14.5	30	73	140	140	340	340	480	—
最大 加速转矩 (Nm)	1.5倍额定输出力矩 1.5 Times of Rated Output Torque										
输入转速 (rpm)	2000										
标准背隙 (arc-min)	≤6										
精密B2 (arc-min)	≤4										
容许径向力 (N)	2,	1100	2800	3900	5500	9800	9800	16500	16500	24100	45000
容许轴向力 (N)	3,	660	2800	3900	5500	9800	9800	16500	16500	24100	45000
效率 (%)	5,	90%									
重量 (kg)	10	1.5	3.5	4.8	8.2	15.5	12.5	27.5	21.5	32.5	170
使用温度 (°C)	-10°C~+80°C										
润滑油	合成润滑油 Fully Synthetic Grease										
安装方向	任意方向										
噪音值 (db) /1500 (rpm)		≤65	≤70	≤70	≤72	≤73	≤73	≤74	≤74	≤76	≤76

- (1) 噪音值测量(分具表距离齿轮箱1M位置/转速1500RPM): (速2000RPM以上噪音值会增大)
- (2) 背隙值测量(2%额定转矩的力距测量)
- (3) 连续使用超过(12时/日)会降低寿命1/2(依照P3选定)

- (1) Noise value measurement (1M position from the gearbox to the gear box/speed 1500RPM): (The noise value will increase if the speed is above 2000RPM)
- (2) Backlash value measurement (2% rated torque torque measurement)
- (3) Continuous use over (12 o'clock/day) will reduce life by 1/2 (selected according to P3)

转动惯量 Moment of inertia

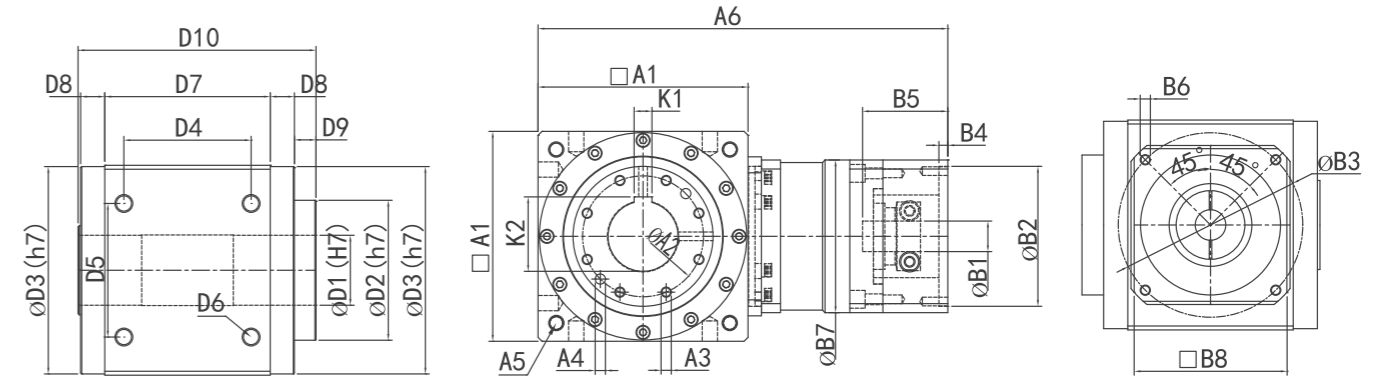
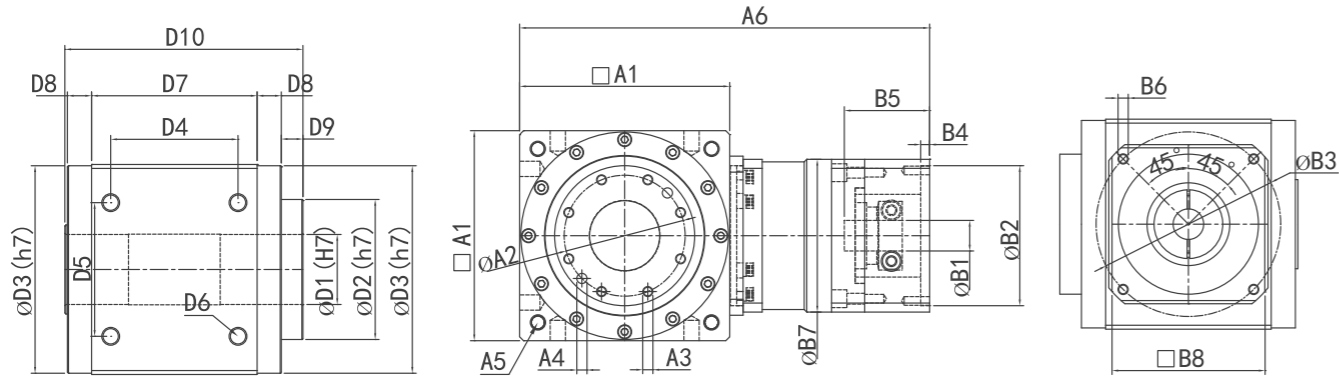
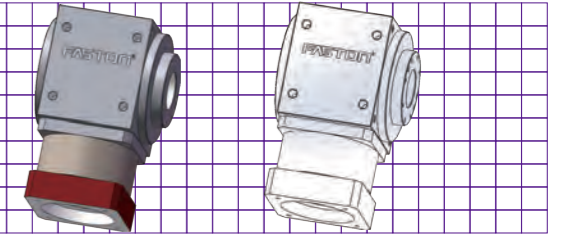
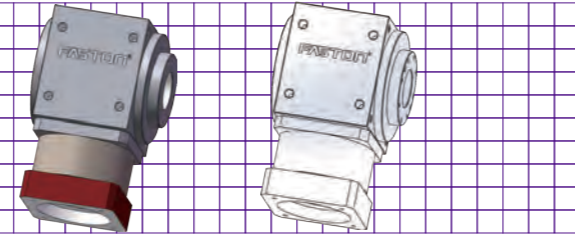
规格 specification	减速比 ratio	FTM 045AS	FTM 070AS	FTM 080AS	FTM 110AS	FTM 135AS	FTM 135BS	FTM 165AS	FTM 165BS	FTM 200BS	FTM 250AS
齿轮箱惯量 (kg-cm <sup>2</sup> )	1/2	0.82	—	1.68	8.06	24.85	12.56	60.25	25.95	65.55	152.25
	1/3	—	—	1.57	7.92	23.25	10.65	55.35	23.86	59.50	142.34
	1/5	—	1.32	1.42	7.58	19.12	9.72	47.56	19.88	52.57	140.45
	1/10	—	1.16	1.25	7.35	16.23	7.98	41.72	16.95	46.42	—

性能资料 PERFORMANCE DATA

性能资料 PERFORMANCE DATA

FTM-AS输入带法兰转向器  
FTM-AS input flanged steering gear  
减速比ratio 1/2  
RF中空旋转盘型式

FTM-AS输入带法兰转向器  
FTM-AS input flanged steering gear  
减速比ratio 1/2  
RF-K中空旋转盘带键槽型式



尺寸 Size	FTM045AS	FTM070AS	FTM080AS	FTM110AS	FTM135AS	FTM135BS	FTM165AS	FTM165BS	FTM200BS	FTM250AS
D1	9	16	*16/20	*25/30	*35/40	*35/40	*50/55	*50/55	*65/80	75
D2	20	38	45	65	85	85	110	110	140	140
D3	43.2	60	78	106	133	133	163	163	195	245
D4	36	41.43	49.5	68	86	78	106	100	129	176.78
D5	26	41.43	49.5	65	83	83	105	105	130	176.78
D6	4-M4*P0.7	4-M5*P0.8	4-M6*P0.8	4-M8*P1.25	4-M10*P1.5	4-M10*P1.5	4-M14*P2.0	4-M14*P2.0	4-M14*P2.0	4-M20*P2.5
D7	54	70	67	90	120	102	142	130	155	227
D8	10.5	6.25	13	15	10	19	13	19	22	21
D9	3.5	8.25	7	9.5	9.5	9.5	17	17	22	15
D10	80	92.25	102	131.5	151.5	151.5	187	187	223	284
A1	46	70	80	110	138	135	168	165	200	250
A2	15.5	30	36	50	70	70	95	95	124	124
A3	6-M3*P0.5	6-M5*P0.8	8-M5*P0.8	8-M5*P0.8	8-M8*P1.25	8-M8*P1.25	8-M8*P1.25	8-M8*P1.25	12-M8*P1.25	12-M10*P1.5
A4 (H7)		2-φ5	2-φ5	2-φ5	2-φ8	2-φ8	2-φ8	2-φ8	2-φ8	2-φ10
A5	P.C.D φ53 4-M5*P0.8	P.C.D φ75 4-M5*P0.8	P.C.D φ93 4-M6*P1.0	P.C.D φ130 4-M8*P1.25	P.C.D φ160 4-M10*P1.5	P.C.D φ160 4-M10*P1.5	P.C.D φ193 4-M12*P1.75	P.C.D φ193 4-M12*P1.75	P.C.D φ240 4-M16*P2.0	P.C.D φ300 4-M30*P2.5
A6 (总长度)	106	159	157	204	255	227	307	290	339	409
B1	5,6,35,8	6,35,8,9 11,14	6,35,8,9 11,14, 16,19	11,14,16 19,22,24	14,16,19 22,24,28 32,35	11,14,16 19,22,24	19,22,24 28,32,35 38,42	14,16,19 22,24,28 32,35	19,22,24 28,32,35 38,42	32,35,38 42,55
B2	22,30,38.1	30,38.1, 40,50,60	30,36,38.1 40,50 60,70	50,60,70 80,95,110	70,80,95 110,114.3 130	50,60,70 80,95,110	95,110 114.3,130 180	70,80,95 110,114.3 130	95,110 114.3,130 180	110,114.3 130,165 180,200
B3	43.8,45,46 66.7,70.7	45,46,66.7 70,70.7,75	45,46,66.7 70,70.7 75,90	70,75,90 100,115 130,145	90,115,130 145,165 200	70,75,90 100,115 130,145	115,130 145,165 200,215	90,115 130,145 165,200	115,130 145,165 200,215	165,200 215,235 250
B4	3	4	4.5	5.7	7	5.7	7	7	7	10
B5	≤28	≤31	≤41	≤62	≤80	≤62	≤86	≤80	≤86	≤125
B6	M3,M4	M3,M4,M5	M3,M4 M5,M5	M4,M5 M6,M6	M6,M8 M10,M12	M4,M5 M6,M8	M6,M8 M10,M12	M6,M8 M10,M12	M6,M8 M10,M12	M10,M12 M14,M16 M20
B7	46	60	60	90	120	90	142	120	142	200
B8	46	62,80	62,80,90	90,115,120	120,140,180	90,115,120	142,180,200	120,140,180	142,180,200	200,220,250

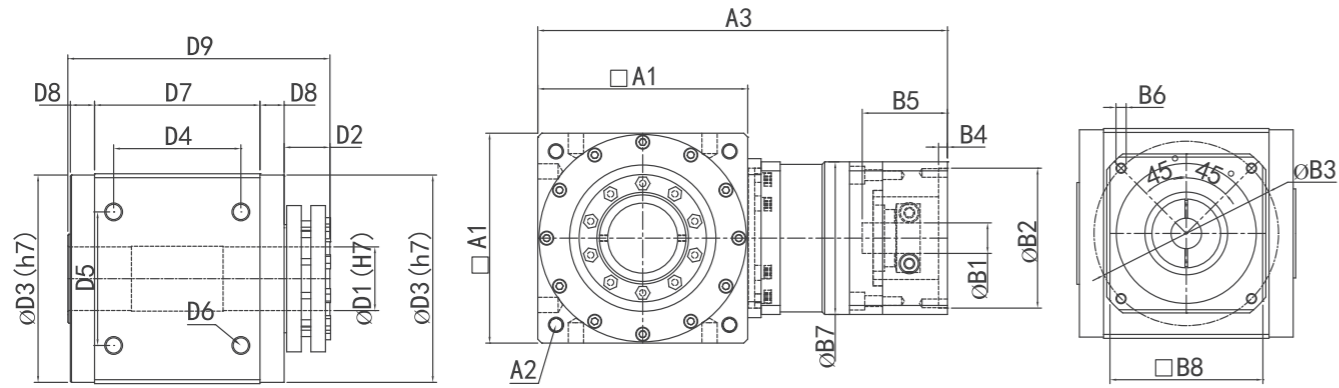
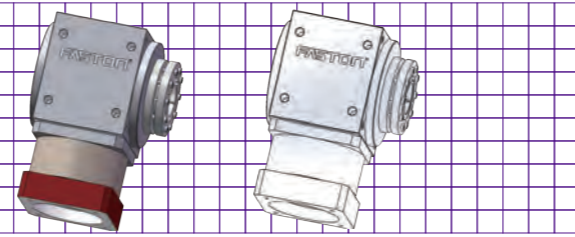
1. (\*)新增中空轴孔径(mm)。2.实际尺寸依2D/3D图档为准。3.连续使用12时/日以上寿命将缩短为1/2。  
1. (\*) Added hollow shaft bore (mm). 2. The actual size is subject to the 2D/3D drawing file. 3. The service life will be shortened to 1/2 when used continuously for 12 hours/day.

尺寸 Size	FTM070AS	FTM080AS	FTM110AS	FTM135AS	FTM135BS	FTM165AS	FTM165BS	FTM200BS	FTM250AS
D1	16	*16/20	*25/30	*35/40	*35/40	*50/55	*50/55	*65/80	75
D2	38	45	65	85	85	110	110	140	140
D3	60	78	106	133	133	163	163	195	245
D4	41.43	49.5	68	86	78	106	100	129	176.78
D5	41.43	49.5	65	83	89	105	105	130	176.78
D6	4-M5*P0.8	4-M6*P0.8	4-M8*P1.25	4-M10*P1.5	4-M10*P1.5	4-M14*P2.0	4-M14*P2.0	4-M14*P2.0	4-M20*P2.5
D7	70	67	90	120	102	142	130	155	227
D8	6.25	13	15	10	19	13	19	22	21
D9	8.25	7	9.5	9.5	9.5	17	17	22	15
D10	92.25	102	131.5	151.5	151.5	187	187	223	284
A1	70	80	110	138	135	168	165	200	250
A2	30	36	50	70	70	95	95	124	124
A3	6-M5*P0.8	8-M5*P0.8	8-M5*P0.8	8-M8*P1.25	8-M8*P1.25	8-M8*P1.25	8-M8*P1.25	12-M8*P1.25	12-M10*P1.5
A4 (H7)	2-φ5	2-φ5	2-φ5	2-φ8	2-φ8	2-φ8	2-φ8	2-φ8	2-φ10
A5	P.C.D φ75 4-M5*P0.8	P.C.D φ93 4-M6*P1.0	P.C.D φ130 4-M8*P1.25	P.C.D φ160 4-M10*P1.5	P.C.D φ160 4-M10*P1.5	P.C.D φ193 4-M12*P1.75	P.C.D φ193 4-M12*P1.75	P.C.D φ240 4-M16*P2.0	P.C.D φ300 4-M30*P2.5
A6 (总长度)	159	157	204	255	227	307	290	339	409
K1	5	6	2	*10/12	*10/12	14	14	18	20
K2	18.3	22.8	*28.3/33.3	*38.3/43.3	*38.3/43.3	*53.8/58.8	*53.8/58.8	69.4	84.9
B1	6,35,8,9 11,14	6,35,8,9 11,14, 16,19	11,14,16 19,22,24	14,16,19 22,24,28 32,35	11,14,16 19,22,24	19,22,24 28,32,35 38,42	14,16,19 22,24,28 32,35	19,22,24 28,32,35 38,42	32,35,38 42,55
B2	30,38.1, 40,50,60	30,36,38.1 40,50 60,70	50,60,70 80,95,110	70,80,95 110,114.3 130	50,60,70 80,95,110	95,110 114.3,130 180	70,80,95 110,114.3 130	95,110 114.3,130 180	110, 114.3 130,165 180,200
B3	45,46,66.7 70,70.7,75	45,46,66.7 70,70.7 75,90	70,75,90 100,115 130,145	90,115,130 145,165 200	70,75,90 100,115 130,145	115,130 145,165 200,215	90,115 130,145 165,200	115,130 145,165 200,215	165,200 215,235 250
B4	4	4.5	5.7	7	5.7	7	7	7	10
B5	≤31	≤41	≤62	≤80	≤62	≤86	≤80	≤86	≤125
B6	M3,M4 M5	M3,M4 M5,M6	M4,M5 M6,M8	M6,M8 M10,M12	M4,M5 M6,M8	M6,M8 M10,M12	M6,M8 M10,M12	M6,M8 M10,M12	M10,M12 M14,M16 M20
B7	60	60	90	120	90	142	120	142	200
B8	62,80	62,80,90	90,115,120	120,140,180	90,115,120	142,180,200	120,140,180	142,180,200	200,220,250

1. (\*)新增中空轴孔径(mm)。2.实际尺寸依2D/3D图档为准。3.连续使用12时/日以上寿命将缩短为1/2。  
1. (\*) Added hollow shaft bore (mm). 2. The actual size is subject to the 2D/3D drawing file. 3. The service life will be shortened to 1/2 when used continuously for 12 hours/day.

性能资料 PERFORMANCE DATA

FTM-AS输入带法兰转向器  
FTM-AS input flanged steering gear  
减速ratio 1/2  
HP中空轴胀紧套型式

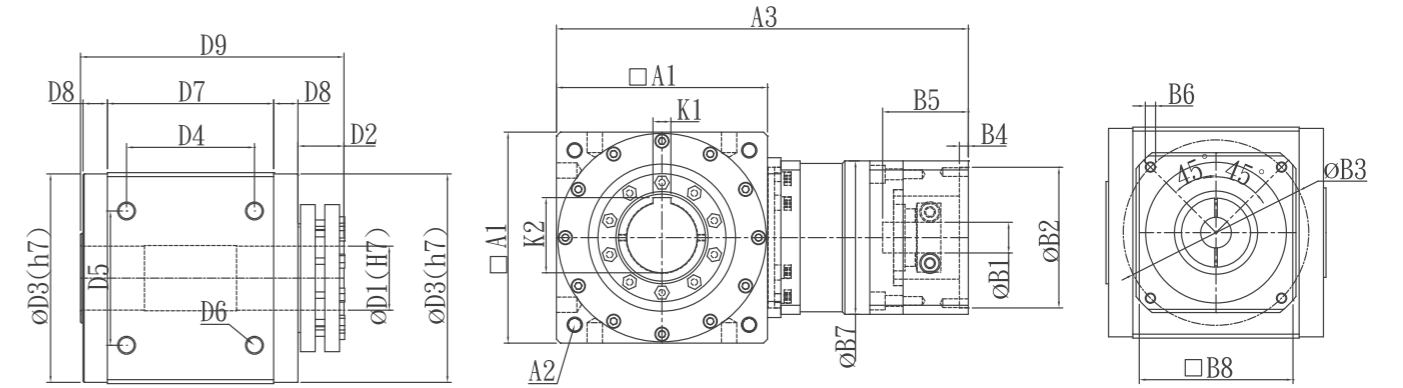
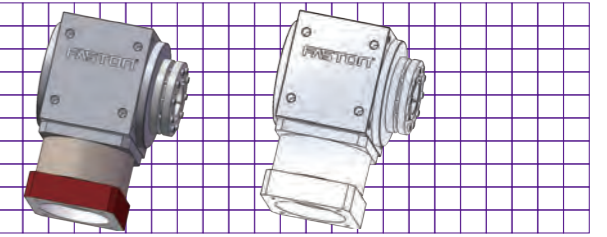


尺寸 Size	FTM070AS	FTM080AS	FTM110AS	FTM135AS	FTM135BS	FTM165AS	FTM165BS	FTM200BS	FTM250AS
D1	16	20	*25/30	*35/40	*35/40	*50/55	*50/55	65	80
D2	22	23.25	32	36	36	36	36	36.5	52
D3	60	78	106	133	133	163	163	195	245
D4	41.43	49.5	68	86	78	106	100	129	176.78
D5	41.43	49.5	65	83	83	105	105	130	176.78
D6	4-M5*P0.8	4-M6*P0.8	4-M8*P1.25	4-M10*P1.5	4-M10*P1.5	4-M14*P2.0	4-M14*P2.0	4-M14*P2.0	4-M20*P2.5
D7	70	67	90	120	102	142	130	155	227
D8	6.25	13	15	10	19	13	19	22	21
D9	104.5	116.25	152	176	176	204	204	235.5	325
A1	70	80	110	138	135	168	165	200	250
A2	P.C.D φ 75 4-M5*P0.8	P.C.D φ 93 4-M6*P1.0	P.C.D φ 130 4-M8*P1.25	P.C.D φ 160 4-M10*P1.5	P.C.D φ 160 4-M10*P1.5	P.C.D φ 193 4-M12*P1.75	P.C.D φ 193 4-M12*P1.75	P.C.D φ 240 4-M16*P2.0	P.C.D φ 300 4-M30*P2.5
A3 (总长度)	159	157	204	255	227	307	290	339	409
B1	6.35,8.9 11.14	6.35,8.9 11.14, 16.19	11,14,16 19,22,24	14,16,19 22,24,28 32,35	11,14,16 19,22,24	19,22,24 28,32,35 38,42	14,16,19 22,24,28 32,35	19,22,24 28,32,35 38,42	32,35,38 42,55
B2	30,38.1, 40,50,60	30,36,38.1 40,50 60,70	50,60,70 80,95,110	70,80,95 110,114.3 130	50,60,70 80,95,110	95,110 114.3,130 180	70,80,95 110,114.3 130	95,110 114.3,130 180	110,114.3 130,165 180,200
B3	45,46,66.7 70,70.7,75	45,46,66.7 70,70.7 75,90	70,75,90 100,115 130,145	90,115,130 145,165 200	70,75,90 100,115 130,145	115,130 145,165 200,215	90,115 130,145 165,200	115,130 145,165 200,215	165,200 215,235 250
B4	4	4.5	5.7	7	5.7	7	7	7	10
B5	≤31	≤41	≤62	≤80	≤62	≤86	≤80	≤86	≤125
B6	M3,M4,M5	M3,M4 M5,M5	M4,M5 M6,M6	M6,M8 M10,M12	M4,M5 M6,M8	M6,M8 M10,M12	M6,M8 M10,M12	M6,M8 M10,M12	M10,M12 M14,M16 M20
B7	60	60	90	120	90	142	120	142	200
B8	62,80	62,80,90	90,115,120	120,140,180	90,115,120	142,180,200	120,140,180	142,180,200	200,220,250

1. (\*)新增中空轴孔径(mm)。2.实际尺寸依2D/3D图档为准。3.连续使用12时/日以上寿命将缩短为1/2。  
1. (\*) Added hollow shaft bore (mm). 2. The actual size is subject to the 2D/3D drawing file. 3. The service life will be shortened to 1/2 when used continuously for 12 hours/day.

性能资料 PERFORMANCE DATA

FTM-AS输入带法兰转向器  
FTM-AS input flanged steering gear  
减速ratio 1/2  
HP-K中空轴胀紧套带键槽型式

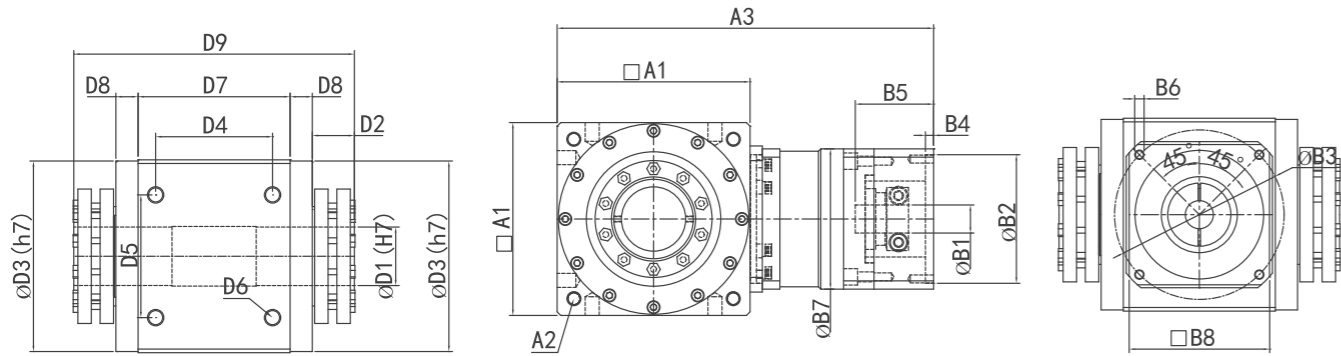
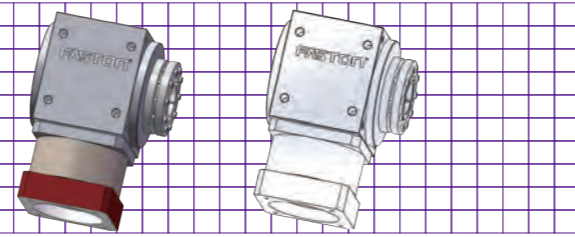


尺寸 Size	FTM070AS	FTM080AS	FTM110AS	FTM135AS	FTM135BS	FTM165AS	FTM165BS	FTM200BS	FTM250AS
D1	16	20	*25/30	*35/40	*35/40	*50/55	*50/55	65	80
D2	22	23.25	32	36	36	36	36	36.5	52
D3	60	78	106	133	133	163	163	195	245
D4	41.43	49.5	68	86	78	106	100	129	176.78
D5	41.43	49.5	65	83	83	105	105	130	176.78
D6	4-M5*P0.8	4-M6*P0.8	4-M8*P1.25	4-M10*P1.5	4-M10*P1.5	4-M14*P2.0	4-M14*P2.0	4-M14*P2.0	4-M20*P2.5
D7	70	67	90	120	102	142	130	155	227
D8	6.25	13	15	10	19	13	19	22	21
D9	104.5	116.25	152	176	176	204	204	235.5	325
A1	70	80	110	138	135	168	165	200	250
A2	P.C.D φ 75 4-M5*P0.8	P.C.D φ 93 4-M6*P1.0	P.C.D φ 130 4-M8*P1.25	P.C.D φ 160 4-M10*P1.5	P.C.D φ 160 4-M10*P1.5	P.C.D φ 193 4-M12*P1.75	P.C.D φ 193 4-M12*P1.75	P.C.D φ 240 4-M16*P2.0	P.C.D φ 300 4-M30*P2.5
A3 (总长度)	159	157	204	255	227	307	290	339	409
K1	5	5	8	*10/12	*10/12	14	14	18	20
K2	18.3	18.3	*28.3/33.3	*38.3/43.3	*38.3/43.3	*53.8/58.8	*53.8/58.8	69.4	84.9
B1	6.35,8.9 11.14	6.35,8.9 11.14, 16.19	11,14,16 19,22,24	14,16,19 22,24,28 32,35	11,14,16 19,22,24	19,22,24 28,32,35 38,42	14,16,19 22,24,28 32,35	19,22,24 28,32,35 38,42	32,35,38 42,55
B2	30,38.1, 40,50,60	30,36,38.1 40,50 60,70	50,60,70 80,95,110	70,80,95 110,114.3 130	50,60,70 80,95,110	95,110 114.3,130 180	70,80,95 110,114.3 130	95,110 114.3,130 180	110,114.3 130,165 180,200
B3	45,46,66.7 70,70.7,75	45,46,66.7 70,70.7 75,90	70,75,90 100,115 130,145	90,115,130 145,165 200	70,75,90 100,115 130,145	115,130 145,165 200,215	90,115 130,145 165,200	115,130 145,165 200,215	165,200 215,235 250
B4	4	4.5	5.7	7	5.7	7	7	7	10
B5	≤31	≤41	≤62	≤80	≤62	≤86	≤80	≤86	≤125
B6	M3,M4,M5	M3,M4 M5,M5	M4,M5 M6,M6	M6,M8 M10,M12	M4,M5 M6,M8	M6,M8 M10,M12	M6,M8 M10,M12	M6,M8 M10,M12	M10,M12 M14,M16 M20
B7	60	60	90	120	90	142	120	142	200
B8	62,80	62,80,90	90,115,120	120,140,180	90,115,120	142,180,200	120,140,180	142,180,200	200,220,250

1. (\*)新增中空轴孔径(mm)。2.实际尺寸依2D/3D图档为准。3.连续使用12时/日以上寿命将缩短为1/2。  
1. (\*) Added hollow shaft bore (mm). 2. The actual size is subject to the 2D/3D drawing file. 3. The service life will be shortened to 1/2 when used continuously for 12 hours/day.

性能资料 PERFORMANCE DATA

FTM-AS输入带法兰转向器  
FTM-AS input flanged steering gear  
减速比ratio 1/2  
2HP双中空轴胀紧套型式

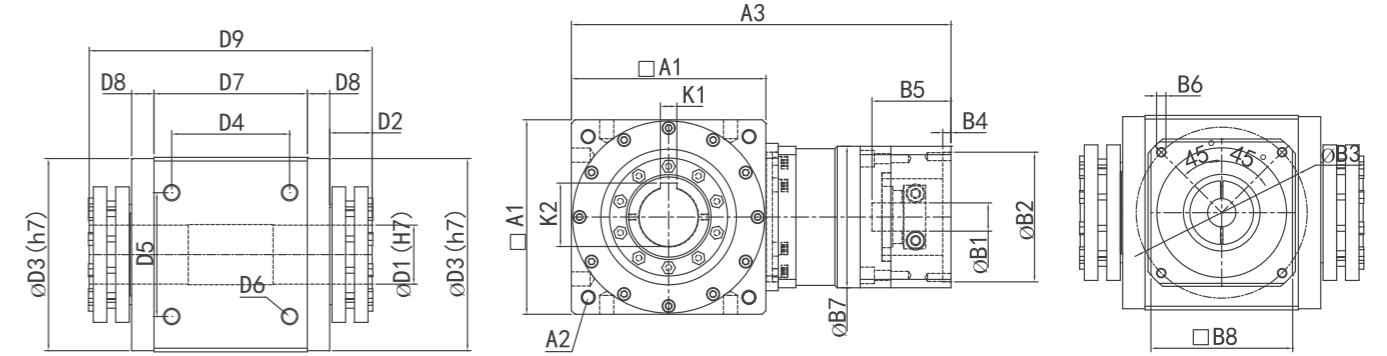
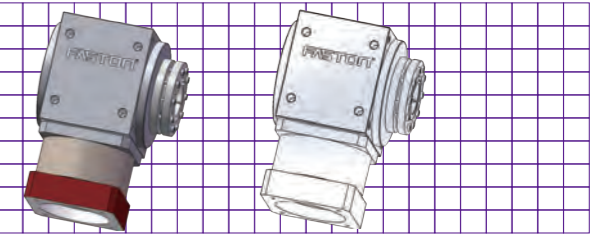


尺寸 Size	FTM070AS	FTM080AS	FTM110AS	FTM135AS	FTM135BS	FTM165AS	FTM165BS	FTM200BS	FTM250AS
D1	16	20	*25/30	*35/40	*35/40	*50/55	*50/55	65	80
D2	22	23.25	32	36	36	36	36	36.5	52
D3	60	78	106	133	133	163	163	195	245
D4	41.43	49.5	68	86	78	106	100	129	176.78
D5	41.43	49.5	65	83	83	105	105	130	176.78
D6	4-M5*P0.8	4-M6*P0.8	4-M8*P1.25	4-M10*P1.5	4-M10*P1.5	4-M14*P2.0	4-M14*P2.0	4-M14*P2.0	4-M20*P2.5
D7	70	67	90	120	102	142	130	155	227
D8	6.25	13	15	10	19	13	19	22	21
D9	104.5	116.25	152	176	176	204	204	235.5	325
A1	70	80	110	138	135	168	165	200	250
A2	P.C.D φ 75 4-M5*P0.8	P.C.D φ 93 4-M6*P1.0	P.C.D φ 130 4-M8*P1.25	P.C.D φ 160 4-M10*P1.5	P.C.D φ 160 4-M10*P1.5	P.C.D φ 193 4-M12*P1.75	P.C.D φ 193 4-M12*P1.75	P.C.D φ 240 4-M16*P2.0	P.C.D φ 300 4-M30*P2.5
A3 (总长度)	159	157	204	255	227	307	290	339	409
B1	6.35,8.9 11,14	6.35,8.9 11,14, 16,19	11,14,16 19,22,24	14,16,19 22,24,28 32,35	11,14,16 19,22,24	19,22,24 28,32,35 38,42	14,16,19 22,24,28 32,35	19,22,24 28,32,35 38,42	32,35,38 42,55
B2	30,38.1, 40,50,60	30,36,38.1 40,50 60,70	50,60,70 80,95,110	70,80,95 110,114.3 130	50,60,70 80,95,110	95,110 114.3,130 180	70,80,95 110,114.3 130	95,110 114.3,130 180	110,114.3 130,165 180,200
B3	45,46,66.7 70,70.7,75	45,46,66.7 70,70.7 75,90	70,75,90 100,115 130,145	90,115,130 145,165 200	70,75,90 100,115 130,145	115,130 145,165 200,215	90,115 130,145 165,200	115,130 145,165 200,215	165,200 215,235 250
B4	4	4.5	5.7	7	5.7	7	7	7	10
B5	≤31	≤41	≤62	≤80	≤62	≤86	≤80	≤86	≤125
B6	M3,M4,M5	M3,M4 M5,M5	M4,M5 M6,M6	M6,M8 M10,M12	M4,M5 M6,M8	M6,M8 M10,M12	M6,M8 M10,M12	M6,M8 M10,M12	M10,M12 M14,M16 M20
B7	60	60	90	120	90	142	120	142	200
B8	62,80	62,80,90	90,115,120	120,140,180	90,115,120	142,180,200	120,140,180	142,180,200	200,220,250

1. (\*)新增中空轴孔径(mm)。2.实际尺寸依2D/3D图档为准。3.连续使用12时/日以上寿命将缩短为1/2。  
1. (\*) Added hollow shaft bore (mm). 2. The actual size is subject to the 2D/3D drawing file. 3. The service life will be shortened to 1/2 when used continuously for 12 hours/day.

性能资料 PERFORMANCE DATA

FTM-AS输入带法兰转向器  
FTM-AS input flanged steering gear  
减速比ratio 1/2  
HP-K中空轴胀紧套带键槽型式

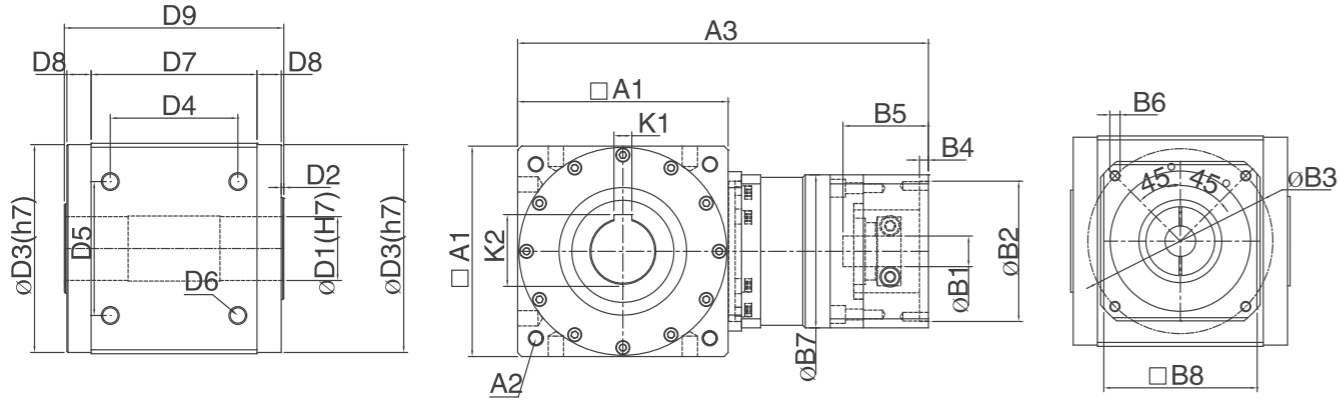
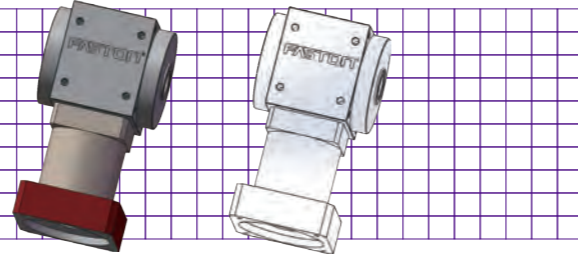


尺寸 Size	FTM070AS	FTM080AS	FTM110AS	FTM135AS	FTM135BS	FTM165AS	FTM165BS	FTM200BS	FTM250AS
D1	16	20	*25/30	*35/40	*35/40	*50/55	*50/55	65	80
D2	22	23.25	32	36	36	36	36	36.5	52
D3	60	78	106	133	133	163	163	195	245
D4	41.43	49.5	68	86	78	106	100	129	176.78
D5	41.43	49.5	65	83	83	105	105	130	176.78
D6	4-M5*P0.8	4-M6*P0.8	4-M8*P1.25	4-M10*P1.5	4-M10*P1.5	4-M14*P2.0	4-M14*P2.0	4-M14*P2.0	4-M20*P2.5
D7	70	67	90	120	102	142	130	155	227
D8	6.25	13	15	10	19	13	19	22	21
D9	104.5	116.25	152	176	176	204	204	235.5	325
A1	70	80	110	138	135	168	165	200	250
A2	P.C.D φ 75 4-M5*P0.8	P.C.D φ 93 4-M6*P1.0	P.C.D φ 130 4-M8*P1.25	P.C.D φ 160 4-M10*P1.5	P.C.D φ 160 4-M10*P1.5	P.C.D φ 193 4-M12*P1.75	P.C.D φ 193 4-M12*P1.75	P.C.D φ 240 4-M16*P2.0	P.C.D φ 300 4-M30*P2.5
A3 (总长度)	159	157	204	255	227	307	290	339	409
K1	5	5	8	*10/12	*10/12	14	14	18	20
K2	18.3	18.3	*28.3/33.3	*38.3/43.3	*38.3/43.3	*53.8/58.8	*53.8/58.8	69.4	84.9
B1	6.35,8.9 11,14	6.35,8.9 11,14, 16,19	11,14,16 19,22,24	14,16,19 22,24,28 32,35	11,14,16 19,22,24	19,22,24 28,32,35 38,42	14,16,19 22,24,28 32,35	19,22,24 28,32,35 38,42	32,35,38 42,55
B2	30,38.1, 40,50,60	30,36,38.1 40,50 60,70	50,60,70 80,95,110	70,80,95 110,114.3 130	50,60,70 80,95,110	95,110 114.3,130 180	70,80,95 110,114.3 130	95,110 114.3,130 180	110,114.3 130,165 180,200
B3	45,46,66.7 70,70.7,75	45,46,66.7 70,70.7 75,90	70,75,90 100,115 130,145	90,115,130 145,165 200	70,75,90 100,115 130,145	115,130 145,165 200,215	90,115 130,145 165,200	115,130 145,165 200,215	165,200 215,235 250
B4	4	4.5	5.7	7	5.7	7	7	7	10
B5	≤31	≤41	≤62	≤80	≤62	≤86	≤80	≤86	≤125
B6	M3,M4,M5	M3,M4 M5,M5	M4,M5 M6,M6	M6,M8 M10,M12	M4,M5 M6,M8	M6,M8 M10,M12	M6,M8 M10,M12	M6,M8 M10,M12	M10,M12 M14,M16 M20
B7	60	60	90	120	90	142	120	142	200
B8	62,80	62,80,90	90,115,120	120,140,180	90,115,120	142,180,200	120,140,180	142,180,200	200,220,250

1. (\*)新增中空轴孔径(mm)。2.实际尺寸依2D/3D图档为准。3.连续使用12时/日以上寿命将缩短为1/2。  
1. (\*) Added hollow shaft bore (mm). 2. The actual size is subject to the 2D/3D drawing file. 3. The service life will be shortened to 1/2 when used continuously for 12 hours/day.

性能资料 PERFORMANCE DATA

FTM-AS输入带法兰转向器  
FTM-AS input flanged steering gear  
减速ratio 1/2  
CR中空轴胀带键槽型式

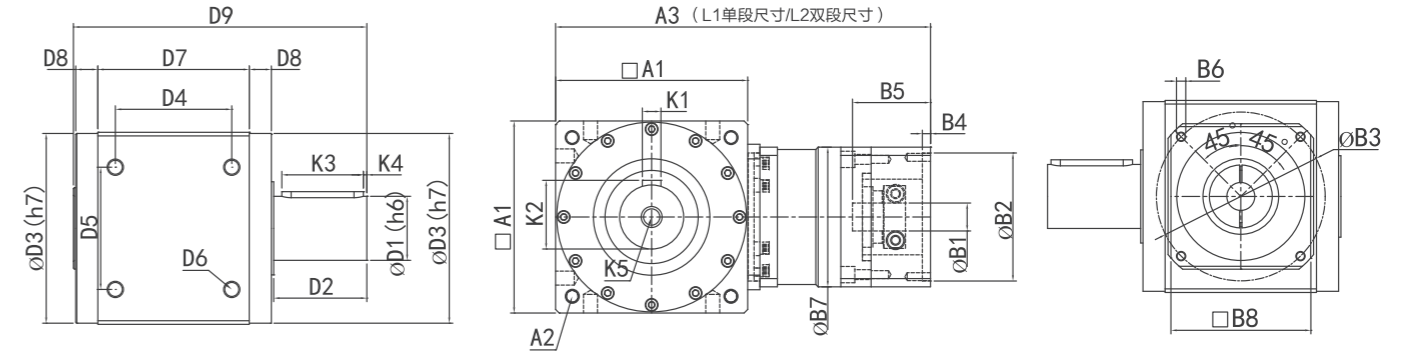
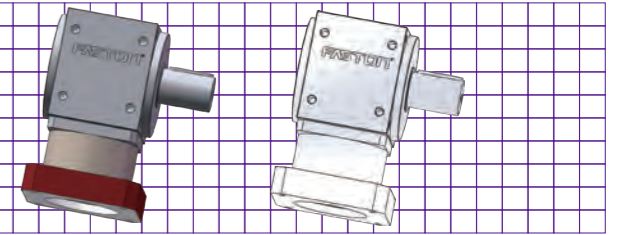


尺寸 Size	FTM070AS	FTM080AS	FTM110AS	FTM135AS	FTM135BS	FTM165AS	FTM165BS	FTM200BS	FTM250AS
D1	16	20	*25/30	*35/40	*35/40	*50/55	*50/55	65	80
D2	1.5	1.75	2	3	3	2	2	2	2
D3	60	78	106	133	133	163	163	195	245
D4	41.43	49.5	68	86	86	106	100	129	176.78
D5	41.43	49.5	65	83	83	105	105	130	176.78
D6	4-M5*P0.8	4-M6*P0.8	4-M8*P1.25	4-M10*P1.5	4-M10*P1.5	4-M14*P2.0	4-M14*P2.0	4-M14*P2.0	4-M20*P2.5
D7	70	67	90	120	102	142	130	155	227
D8	6.25	13	15	10	19	13	19	22	21
D9	85.5	96.5	124	146	146	172	172	202	273
A1	70	80	110	138	135	168	165	200	250
A2	P.C.D φ 75 4-M5*P0.8	P.C.D φ 93 4-M6*P1.0	P.C.D φ 130 4-M8*P1.25	P.C.D φ 160 4-M10*P1.5	P.C.D φ 160 4-M10*P1.5	P.C.D φ 193 4-M12*P1.75	P.C.D φ 193 4-M12*P1.75	P.C.D φ 240 4-M16*P2.0	P.C.D φ 300 4-M30*P2.5
A3 (总长度)	159	157	204	255	227	307	290	339	409
K1	5	6	8	*10/12	*10/12	14	14	18	20
K2	18.3	22.8	*28.3/33.3	*38.3/43.3	*38.3/43.3	*53.8/58.8	*53.8/58.8	69.4	84.9
B1	6.35,8,9 11,14	6.35,8,9 11,14, 16,19	11,14,16 19,22,24	14,16,19 22,24,28 32,35	11,14,16 19,22,24	19,22,24 28,32,35 38,42	14,16,19 22,24,28 32,35	19,22,24 28,32,35 38,42	32,35,38 42,55
B2	30,38,1, 40,50,60	30,36,38,1 40,50 60,70	50,60,70 80,95,110	70,80,95 110,114.3 130	50,60,70 80,95,110	95,110 114.3,130 180	70,80,95 110,114.3 130	95,110 114.3,130 180	110,114.3 130,165 180,200
B3	45,46,66,7 70,70,7,75	45,46,66,7 70,70,7 75,90	70,75,90 100,115 130,145	90,115,130 145,165 200	70,75,90 100,115 130,145	115,130 145,165 200,215	90,115 130,145 165,200	115,130 145,165 200,215	165,200 215,235 250
B4	4	4,5	5,7	7	5,7	7	7	7	10
B5	≤31	≤41	≤62	≤80	≤62	≤86	≤80	≤86	≤125
B6	M3,M4,M5	M3,M4 M5,M5	M4,M5 M6,M6	M6,M8 M10,M12	M4,M5 M6,M8	M6,M8 M10,M12	M6,M8 M10,M12	M6,M8 M10,M12	M10,M12 M14,M16 M20
B7	60	60	90	120	90	142	120	142	200
B8	62,80	62,80,90	90,115,120	120,140,180	90,115,120	142,180,200	120,140,180	142,180,200	200,220,250

1. (\*)新增中空轴孔径(mm)。2.实际尺寸依2D/3D图档为准。3.连续使用12时/日以上寿命将缩短为1/2。  
1. (\*) Added hollow shaft bore (mm). 2. The actual size is subject to the 2D/3D drawing file. 3. The service life will be shortened to 1/2 when used continuously for 12 hours/day.

性能资料 PERFORMANCE DATA

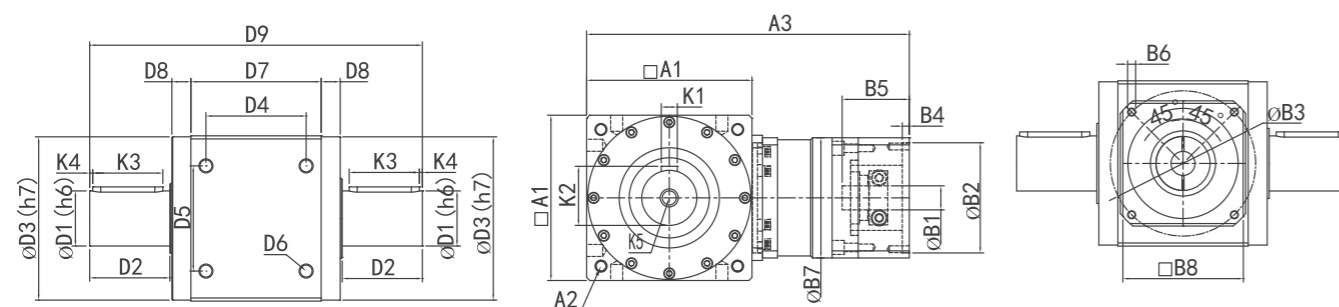
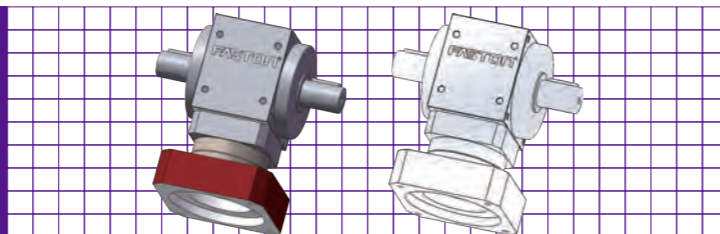
FTM-AS输入带法兰转向器  
FTM-AS input flanged steering gear  
减速ratio 1/2  
P单输出轴型式



尺寸 Size	FTM045AS	FTM070AS	FTM080AS	FTM110AS	FTM135AS	FTM135BS	FTM165AS	FTM165BS	FTM200BS	FTM250AS
D1	13	16	20	30	40	40	55	55	75	80
D2	20	25	35	45	55	55	80	80	100	52
D3	43.2	60	78	106	133	133	163	163	195	245
D4	36	41.43	49.5	68	86	78	106	100	129	176.78
D5	26	41.43	49.5	65	83	83	105	105	130	176.78
D6	4-M4*P0.7	4-M5*P0.8	4-M6*P0.8	4-M8*P1.25	4-M10*P1.5	4-M10*P1.5	4-M14*P2.0	4-M14*P2.0	4-M14*P2.0	4-M20*P2.5
D7	54	70	67	90	120	102	142	130	155	227
D8	10.5	6.25	13	15	10	19	13	19	22	21
D9	98	110.5	132	169	201	201	252	252	402	325
A1	46	70	80	110	138	135	168	165	200	250
A2	P.C.D φ 53 4-M5*P0.8	P.C.D φ 75 4-M5*P0.8	P.C.D φ 93 4-M6*P1.0	P.C.D φ 130 4-M8*P1.25	P.C.D φ 160 4-M10*P1.5	P.C.D φ 160 4-M10*P1.5	P.C.D φ 193 4-M12*P1.75	P.C.D φ 193 4-M12*P1.75	P.C.D φ 240 4-M16*P2.0	P.C.D φ 300 4-M30*P2.5
A3 (总长度)	106	159	157	204	255	227	307	290	339	409
K1	4	5	6	8	12	12	16	16	20	20
K2	14.5	18	22.5	33	43	43	59	59	79.5	84.5
K3	15	20	30	35	45	45	70	70	90	75
K4	2.5	3	3	5	5	5	3	3	5	5
K5	M4	M5	M6	M8	M12	M12	M16	M16	M20	M20
B1	5,6,35,8	6.35,8,9 11,14	6.35,8,9 11,14, 16,19	11,14,16 19,22,24	14,16,19 22,24,28 32,35	11,14,16 19,22,24	19,22,24 28,32,35 38,42	14,16,19 22,24,28 32,35	19,22,24 28,32,35 38,42	32,35,38 42,55
B2	22,30,38.1	30,38.1, 40,50,60	30,36,38.1 40,50 60,70	50,60,70 80,95,110	70,80,95 110,114.3 130	50,60,70 80,95,110	95,110 114.3,130 180	70,80,95 110,114.3 130	95,110 114.3,130 180	110,114.3 130,165 180,200
B3	43.8,45,46 66.7,70.7	45,46,66,7 70,70,7,75	45,46,66,7 70,70,7 75,90	70,75,90 100,115 130,145	90,115,130 145,165 200	70,75,90 100,115 130,145	115,130 145,165 200,215	90,115 130,145 165,200	115,130 145,165 200,215	165,200 215,235 250
B4	3	4	4,5	5,7	7	5,7	7	7	7	10
B5	≤28	≤41	≤41	≤62	≤80	≤62	≤86	≤80	≤86	≤125
B6	M3,M4	M3,M4,M5	M3,M4 M5,M5	M4,M5 M6,M6	M6,M8 M10,M12	M4,M5 M6,M8	M6,M8 M10,M12	M6,M8 M10,M12	M6,M8 M10,M12	M10,M12 M14,M16 M20
B7	46	60	60	90	120	90	142	120	142	200
B8	46	62,80	62,80,90	90,115,120	120,140,180	90,115,120	142,180,200	120,140,180	142,180,200	200,220,250

1.实际尺寸依2D/3D图档为准。1.连续使用12时/日以上寿命将缩短为1/2。  
1. The actual size is subject to the 2D/3D drawing file. 2. The service life will be shortened to 1/2 when used continuously for 12 hours/day.

FTM-AS输入带法兰转向器  
FTM-AS input flanged steering gear  
减速比ratio 1/2  
2P双输出轴型式



尺寸 Size	FTM045AS	FTM070AS	FTM080AS	FTM110AS	FTM135AS	FTM135BS	FTM165AS	FTM165BS	FTM200BS	FTM250AS
D1	13	16	20	30	40	40	55	55	75	80
D2	20	25	35	45	55	55	80	80	100	95
D3	43.2	60	78	106	133	133	163	163	195	245
D4	36	41.43	49.5	68	86	78	106	100	129	176.78
D5	26	41.43	49.5	65	83	83	105	105	130	176.78
D6	4-M4*P0.7	4-M5*P0.8	4-M6*P0.8	4-M8*P1.25	4-M10*P1.5	4-M10*P1.5	4-M14*P2.0	4-M14*P2.0	4-M14*P2.0	4-M20*P2.5
D7	54	70	67	90	120	102	142	130	155	227
D8	10.5	6.25	13	15	10	19	13	19	22	21
D9	118	135.5	167	214	256	256	252	332	402	463
A1	46	70	80	110	138	135	168	165	200	250
A2	P.C.D φ 53 4-M5*P0.8	P.C.D φ 75 4-M5*P0.8	P.C.D φ 93 4-M6*P1.0	P.C.D φ 130 4-M8*P1.25	P.C.D φ 160 4-M10*P1.5	P.C.D φ 160 4-M10*P1.5	P.C.D φ 193 4-M12*P1.75	P.C.D φ 193 4-M12*P1.75	P.C.D φ 240 4-M16*P2.0	P.C.D φ 300 4-M30*P2.5
A3 (总长度)	106	159	157	204	255	227	307	290	339	409
K1	4	5	6	8	12	12	16	16	20	20
K2	14.5	18	22.5	33	43	43	59	59	79.5	84.5
K3	15	20	30	35	45	45	70	70	90	75
K4	2.5	3	3	5	5	5	3	3	5	5
K5	M4	M5	M6	M8	M12	M12	M16	M16	M20	M20
B1	5,6,35,8	6,35,8,9 11,14	6,35,8,9 11,14, 16,19	11,14,16 19,22,24	14,16,19 22,24,28 32,35	11,14,16 19,22,24	19,22,24 28,32,35 38,42	14,16,19 22,24,28 32,35	19,22,24 28,32,35 38,42	32,35,38 42,55
B2	22,30,38.1	30,38,1, 40,50,60	30,36,38.1 40,50 60,70	50,60,70 80,95,110	70,80,95 110,114.3 130	50,60,70 80,95,110	95,110 114.3,130 180	70,80,95 110,114.3 130	95,110 114.3,130 180	110,114.3 130,165 180,200
B3	43.8,45,46 66.7,70.7	45,46,66.7 70,70.7,75	45,46,66.7 70,70.7 75,90	70,75,90 100,115 130,145	90,115,130 145,165 200	70,75,90 100,115 130,145	115,130 145,165 200,215	90,115 130,145 165,200	115,130 145,165 200,215	165,200 215,235 250
B4	3	4	4,5	5,7	7	5,7	7	7	7	10
B5	≤28	≤31	≤41	≤62	≤80	≤62	≤86	≤80	≤86	≤125
B6	M3,M4	M3,M4,M5	M3,M4 M5,M5	M4,M5 M6,M6	M6,M8 M10,M12	M4,M5 M6,M8	M6,M8 M10,M12	M6,M8 M10,M12	M6,M8 M10,M12	M10,M12 M14,M16 M20
B7	46	60	60	90	120	90	142	120	142	200
B8	46	62,80	62,80,90	90,115,120	120,140,180	90,115,120	142,180,200	120,140,180	142,180,200	200,220,250

1.实际尺寸依2D/3D图档为准。1.连续使用12时/日以上寿命将缩短为1/2。

1. The actual size is subject to the 2D/3D drawing file. 2. The service life will be shortened to 1/2 when used continuously for 12 hours/day.